

RIGHT SIDE OF PANEL

—47

—48

—49

—50

—51

—91

—92

—93

—94

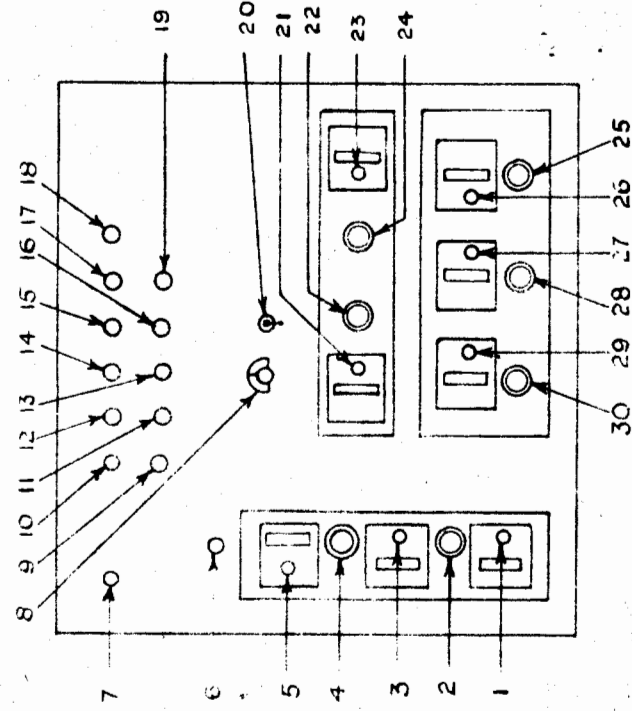
—95

—96

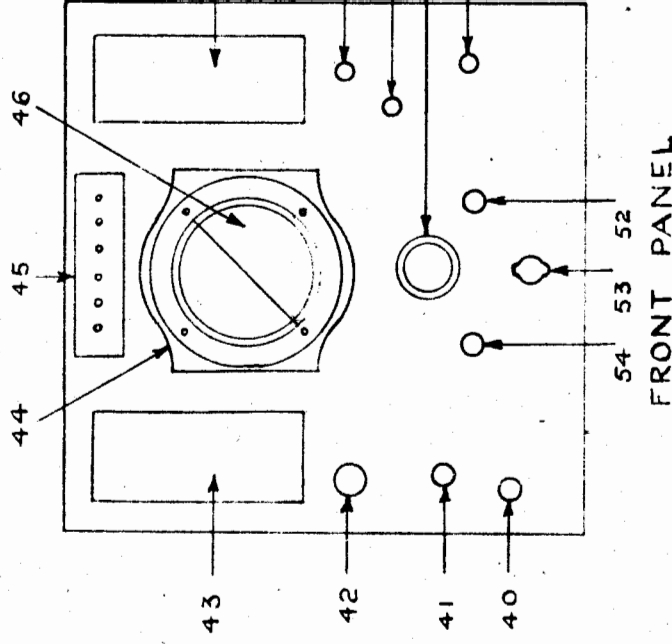
# RECEIVER UNIT FHA. B.7

## OPERATIONAL CONTROLS

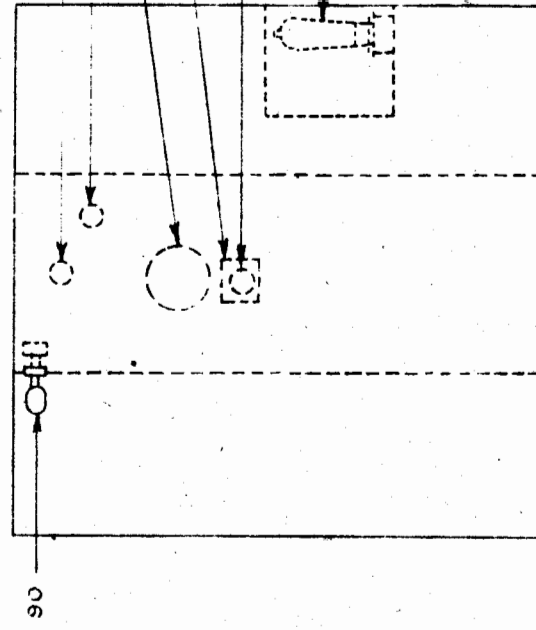
AP. NO. W.5419.



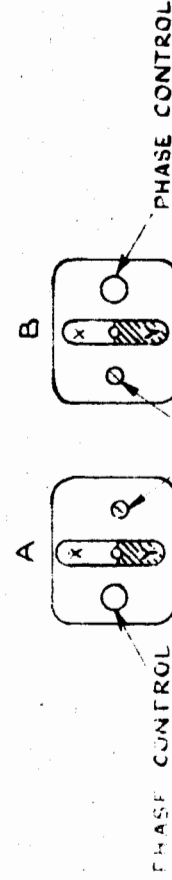
LEFT SIDE OF PANEL



FRONT PANEL



I.F. CHASSIS THROUGH FRONT PAN



31

VIEW OF COILS

ASSEMBLY A	ASSEMBLY B
FA OUTPUT I.F.	PS OUTPUT I.F.
FA FC I.F.	PS FC I.F.
PS 2 <sup>ND</sup> I.F.	FA 2 <sup>ND</sup> I.F.
FA 1 <sup>ST</sup> I.F.	PS 1 <sup>ST</sup> I.F.
FA R.F.	PS R.F.
FA AERIAL	PS AERIAL
	OSCILLATOR